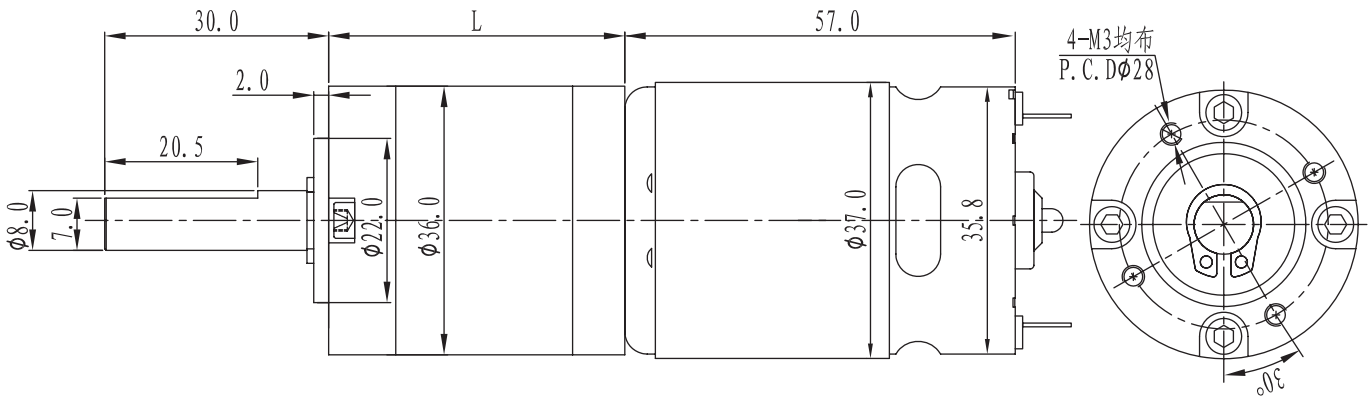


# ZGX36RH(A8X85)



## Dimension(mm)



## Specifications

DC Motor	Ratio	1/5	1/25	1/88	1/105	1/125	1/311	1/370	1/411	1/525	1/625
ZYTD-555 (12V-3700R)	No load (r/min)	744	148	42	35	29.5	12	10	9	7	6
	On load (r/min)	625	125	37	31	27.5	11	9.5	8.8	6.9	5.9
	Rated torque (kgf.cm)	0.8	3.5	10	10	10	15	15	15	15	15
ZYTD-555 (24V-5300R)	No load (r/min)	1115	223	63	53	44.6	18	15	13.5	10.6	8.9
	On load (r/min)	951	194	58	49	42	17	14.5	13	10.3	8.7
	Rated torque (kgf.cm)	1	4.5	10	10	10	15	15	15	15	15
Direction	电源正极接 + 端子	CCW									

## Gearbox

Reduction Ratio	L	Stages	Allowable torque	
	mm		mN.m	kgf.cm
1/5	30.7	1	196	2
1/25	39.7	2	588	6
1/88~1/125	48.7	3	980	10
1/311~1/625	57.7	4	1470	15

★ Other specification can be customized.