

N20/30

FF030

RF130

BLDC

1632

FF130

FF180

RF500

RF300

RF310

094

BLDC

2035

370

2418

2430

385

2838

395

30-C

32-C

40-C

32ZY13

32ZY25

520

BLDC

520

380

555

BLDC

3640

775

38S

BLDC

38S

45S

BLDC

45S

50S

BLDC

50S

60S

BLDC

60S

80S

稳压器

同步

电机

永磁

直流电机

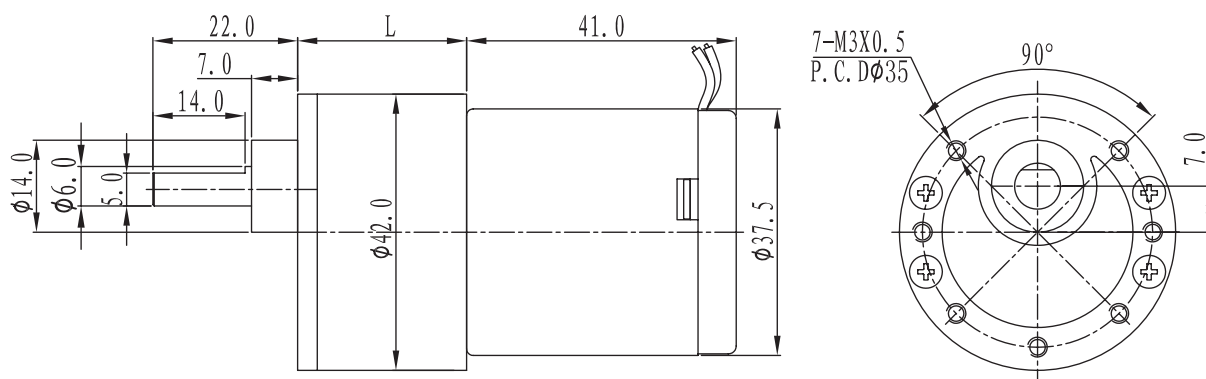
交流

可逆电机

ZGB42RE(A6249)



Dimension(mm)



Specifications

DC Motor	Ratio	1/11.7	1/23	1/31.6	1/38.9	1/62.2	1/84.2	1/103.7	1/166	1/184.3	1/224.6	1/442
ZYTD-380 (12V-4000R)	No load (r/min)	370	190	140	110	70	51	42	26	24	19	10
	On load (r/min)	300	150	110	90	55	42	34	21	19	16	9
	Rated torque (kgf.cm)	0.7	1.4	1.7	2.1	3.5	4.3	5.3	8.5	8.5	10.5	12
ZYTD-380 (24V-5000R)	No load (r/min)	440	220	160	130	82	61	49	31	28	23	12
	On load (r/min)	360	180	130	105	68	50	41	25	23	19	11
	Rated torque (kgf.cm)	0.9	1.8	2.3	2.8	4.6	5.6	7	11	11	12	12
Direction	电源正极接 + 端子	CCW		CW			CCW			CW		

Gearbox

Reduction Ratio	L	Stages	Allowable torque	
	mm		mN.m	kgf.cm
1/11.7~1/23	25.7	4	392	4
1/31.6~1/62.2	25.7	5	686	7
1/84.2~1/166	29.5	6	882	9
1/184.3~1/442	32.7	7	1176	12

★Other specification can be customized.

125

浙江正科电机有限公司 Tel:0577-6289 0088

Fax:0577-6287 1122

Http:www.zhengkemotor.com