

N20/30

FF030

RF130

BLDC

1632

FF130

FF180

RF500

RF300

RF310

094

BLDC

2035

370

2418

2430

385

2838

395

30-C

32-C

40-C

32ZY13

32ZY25

520

BLDC

520

380

555

BLDC

3640

775

38S

BLDC

38S

45S

BLDC

45S

50S

BLDC

50S

60S

BLDC

60S

80S

稳压器

同步

电机

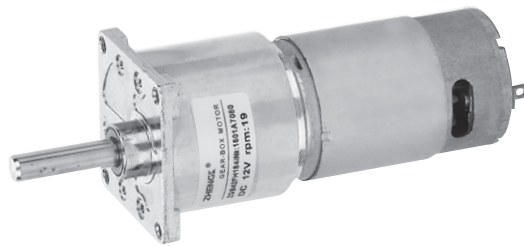
永磁

直流电机

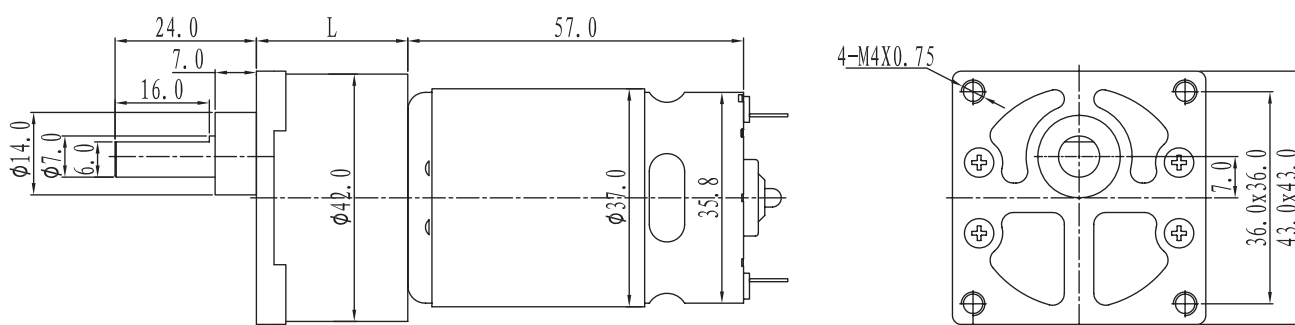
交流

可逆电机

# ZGB42FH(A7038)



## Dimension(mm)



## Specifications

DC Motor	Reduction Ratio	1/11.7	1/31.6	1/38.9	1/84.2	1/103.7	1/184.3	1/224.6
ZYTD-555 (12V-3700R)	Noload(r/min)	320	120	96	44	36	20	17
	Onload(r/min)	265	99	80	37	31	18	15
	Onload Torque(kgf.cm)	1.4	3.5	4.3	8.5	9	12	12
ZYTD-555 (24V-5300R)	Noload(r/min)	460	170	140	64	52	29	24
	Onload(r/min)	385	140	115	56	47	27	22
	Onload Torque(kgf.cm)	2	5	6	9	9	12	12
Default Direction		CCW	CW	CCW	CW			

## Gearbox Specifications

Reduction Ratio	L	Stages	Allowable Torque	
	mm		mN.m	kgf.cm
1/11.7	25.7	4	392	4
1/31.6~1/38.9	25.7	5	686	7
1/84.2~1/103.7	29.5	6	882	9
1/184.3~1/224.6	32.7	7	1176	12