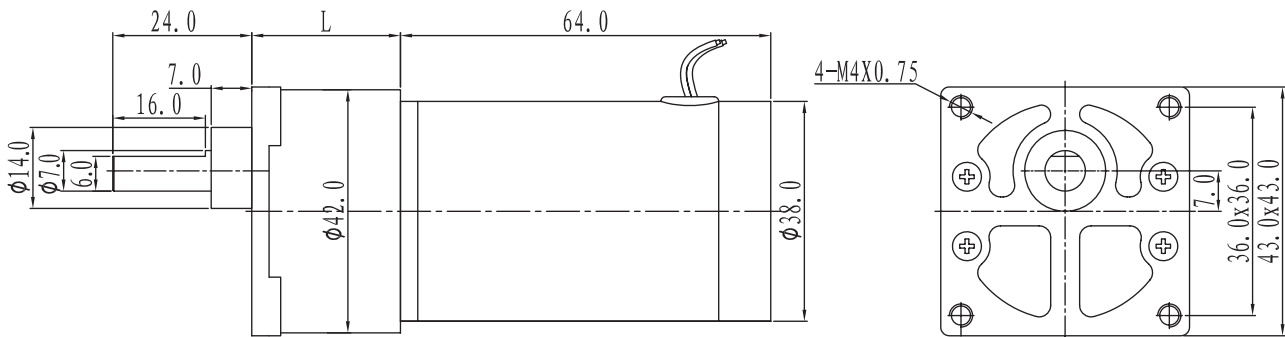


ZGB42FEE(A7038)

Housing Material	Zinc-Steel
Bearing	Sleeve Bearing
Radial Force	≤ 1 kgf
Axial Force	≤ 0.7 kgf
Max.Axial Pressing Force	≤ 5 kgf
Radial Play	≤ 0.1 mm
Axial Play	≤ 0.5 mm



Dimension(mm)



Specifications

DC Motor	Reduction Ratio	1/11.7	1/23	1/31.6	1/38.9	1/62.2	1/84.2	1/103.7	1/166	1/184.3	1/224.6	1/442
ZYTD-38S-R (12V-3000R)	Noload(r/min)	250	127	92	75	47	35	28	18	16	13	7
	Onload(r/min)	210	107	78	63	40	29	24	16	14	12	6
	Onload Torque(kgf.cm)	1.1	2.2	2.8	3.5	5.6	7	8.5	9	12	12	12
ZYTD-38S-R (24V-5000R)	Noload(r/min)	430	218	160	130	81	60	48	30	27	22	11
	Onload(r/min)	355	180	130	106	71	52	43	28	25	21	11
	Onload Torque(kgf.cm)	2	4	5	6.2	7	9	9	9	12	12	12
Default Direction		CW		CCW			CW			CCW		

Gearbox Specifications

Reduction Ratio	L	Stages	Allowable Torque	
	mm		mN.m	kgf.cm
1/11.7~1/23	25.7	4	392	4
1/31.6~1/62.2	25.7	5	686	7
1/84.2~1/166	29.5	6	882	9
1/184.3~1/442	32.7	7	1176	12

N20/30
FF030
RF130
BLDC 1632
FF130
FF180
RF500
RF300
RF310
094
BLDC 2035
370
2418
2430
385
2838
395
30-C
32-C
40-C
32ZY13
32ZY25
520
BLDC 520
380
555
BLDC 3640
775
38S
BLDC 38S
45S
BLDC 45S
50S
BLDC 50S
60S
BLDC 60S
80S
稳压器
同步电机
永磁直流电机
交流可逆电机