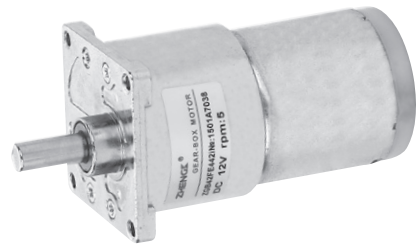
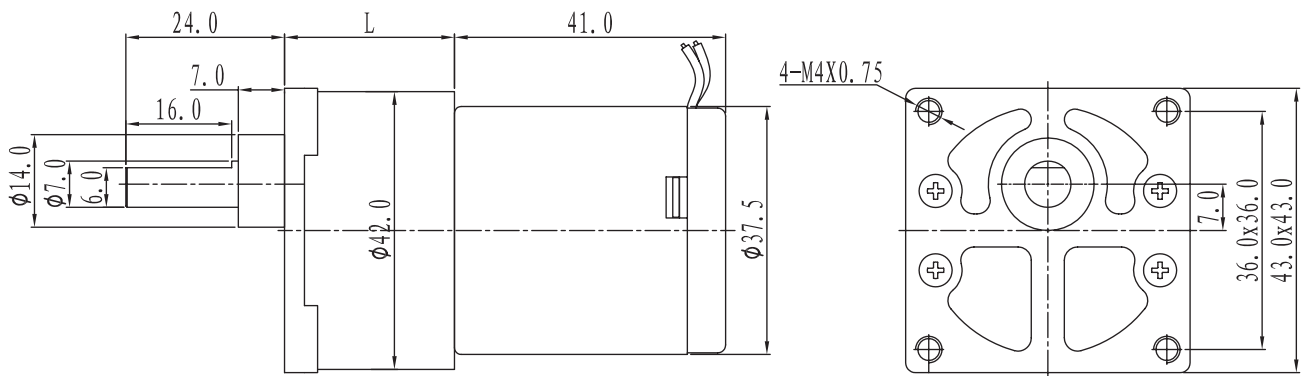


ZGB42FE(A7038)



Dimension(mm)



Specifications

DC Motor	Ratio	1/11.7	1/23	1/31.6	1/38.9	1/62.2	1/84.2	1/103.7	1/166	1/184.3	1/224.6	1/442
ZYTD-380 (12V-4000R)	No load (r/min)	370	190	140	110	70	51	42	26	24	19	10
	On load (r/min)	300	150	110	90	55	42	34	21	19	16	9
	Rated torque (kgf.cm)	0.7	1.4	1.7	2.1	3.5	4.3	5.3	8.5	8.5	10.5	12
ZYTD-380 (24V-5000R)	No load (r/min)	440	220	160	130	82	61	49	31	28	23	12
	On load (r/min)	360	180	130	105	68	50	41	25	23	19	11
	Rated torque (kgf.cm)	0.9	1.8	2.3	2.8	4.6	5.6	7	11	11	12	12
Direction	电源正极接 + 端子	CCW	CW	CCW	CW							

Gearbox

Reduction Ratio	L	Stages	Allowable torque	
	mm		mN.m	kgf.cm
1/11.7~1/23	25.7	4	392	4
1/31.6~1/62.2	25.7	5	686	7
1/84.2~1/166	29.5	6	882	9
1/184.3~1/442	32.7	7	1176	12

★Other specification can be customized.