

N20/30

FF030

RF130

BLDC

1632

FF130

FF180

RF500

RF300

RF310

094

BLDC

2035

370

2418

2430

385

2838

395

30-C

32-C

40-C

32ZY13

32ZY25

520

BLDC

520

380

555

BLDC

3640

775

38S

BLDC

38S

45S

BLDC

45S

50S

BLDC

50S

60S

BLDC

60S

80S

稳压器

同步

电机

永磁

直流电机

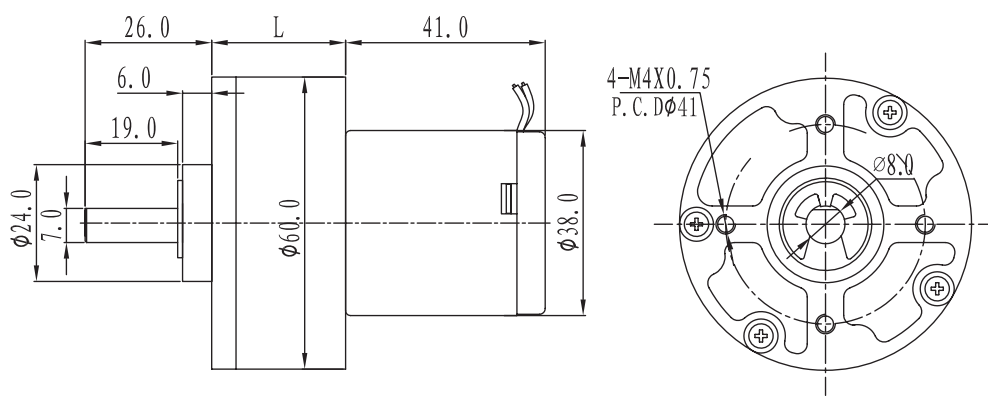
交流

可逆电机

ZGA60RE-G(A8044)



Dimension(mm)



Specifications

DC Motor	Ratio	1/6.3	1/7.9	1/9.2	1/20.7	1/26	1/31	1/68	1/86	1/101	1/225	1/335	1/355	1/745	1/1100
ZYTD-380 (12V-4000R)	No load (r/min)	690	550	470	210	170	140	65	50	43	19	13	12	6	4
	On load (r/min)	555	445	380	170	135	110	52	41	35	16	11	10	5	4
	Rated torque (kgf.cm)	0.45	0.55	0.7	1.4	1.8	2.1	4.3	5.5	6.4	12.5	18.5	20	25	25
ZYTD-380 (24V-5000R)	No load (r/min)	810	650	560	250	200	170	75	60	50	23	15	14	7	4
	On load (r/min)	660	530	460	200	160	135	62	49	42	19	13	13	6	4
	Rated torque (kgf.cm)	0.6	0.8	0.9	1.8	2.3	2.7	5.6	7.2	8.5	16.5	20	20	25	25
Direction	电源正极接 + 端子	CCW			CW			CCW			CW		CCW		

Gearbox

Reduction Ratio	L	Stages	Allowable torque	
	mm		mN.m	kgf.cm
1/6.3~1/9.2	27.5	2	980	10
1/20.7~1/31	30	3	1176	12
1/68~1/101	32.5	4	1470	15
1/225~1/335	36.5	5	1960	20
1/355~1/1100	41.3	6	2450	25

★ Other specification can be customized.

127

浙江正科电机有限公司 Tel:0577-6289 0088

Fax:0577-6287 1122

Http:www.zhengkemotor.com