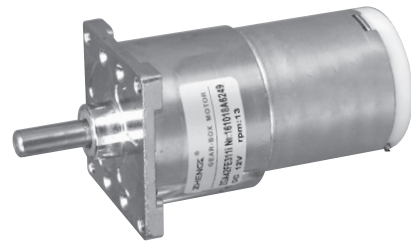
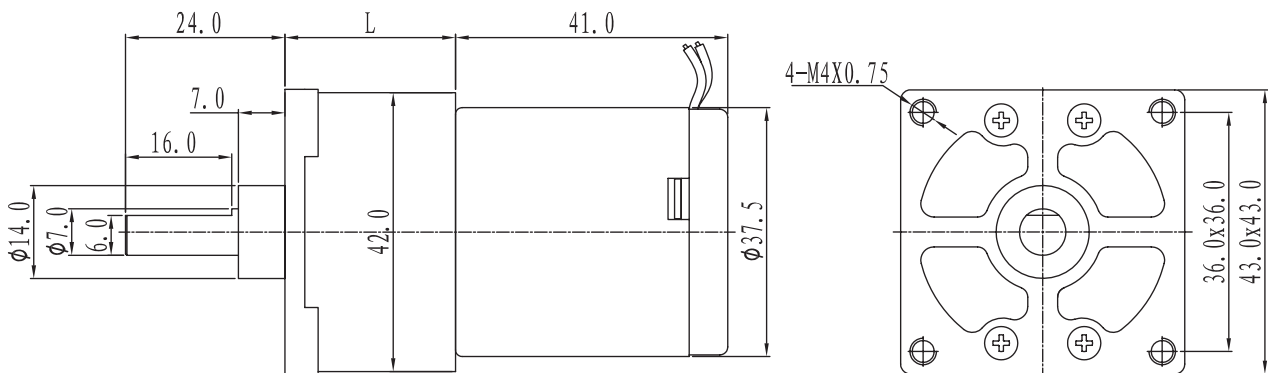


# ZGA42FE(A7038)



## Dimension(mm)



## Specifications

DC Motor	Ratio	1/8.3	1/16.4	1/18.2	1/22.2	1/27.3	1/44	1/59	1/72.9	1/117	1/158	1/311
ZYTD-380 (12V-4000R)	No load (r/min)	520	270	240	195	160	100	73	59	37	27	14
	On load (r/min)	420	215	193	160	130	80	60	48	30	23	12
	Rated torque (kgf.cm)	0.5	1	1.1	1.3	1.6	2.7	3.3	4	6.6	8	12
ZYTD-380 (24V-5000R)	No load (r/min)	620	310	280	230	190	115	87	70	44	32	16
	On load (r/min)	505	255	230	190	150	95	71	58	36	26	15
	Rated torque (kgf.cm)	0.7	1.4	1.4	1.7	2.1	3.5	4.3	5.7	8.6	10.5	12
Direction		CW		CCW			CW			CCW		

## Gearbox

Reduction Ratio	L	Stages	Allowable torque	
	mm		mN.m	kgf.cm
1/8.3~1/16.4	25.7	3	392	4
1/18.2~1/44	25.7	4	686	7
1/59~1/117	29.5	5	882	9
1/158~1/311	32.7	6	1176	12

★ Other specification can be customized.