

N20/30

FF030

RF130

BLDC

1632

FF130

FF180

RF500

RF300

RF310

094

BLDC

2035

370

2418

2430

385

2838

395

30-C

32-C

40-C

32ZY13

32ZY25

520

BLDC

520

380

555

BLDC

3640

775

38S

BLDC

38S

45S

BLDC

45S

50S

BLDC

50S

60S

BLDC

60S

80S

稳压器

同步

电机

永磁

直流电机

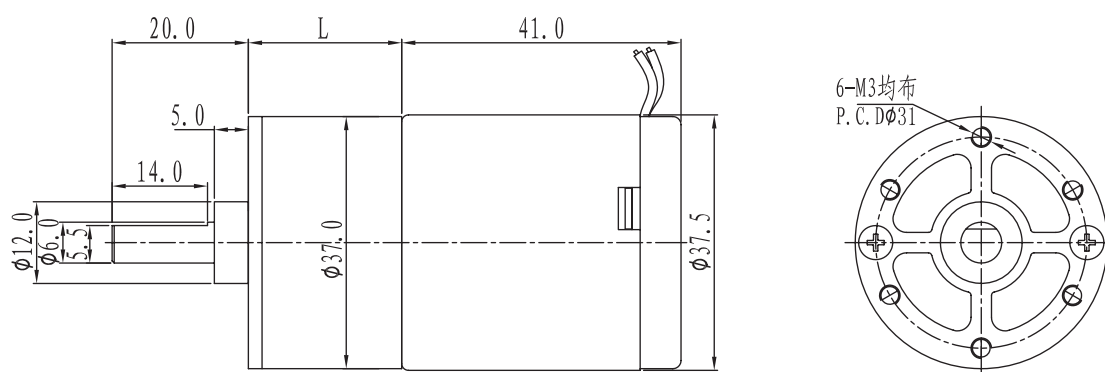
交流

可逆电机

ZGA37RE(A6207)



Dimension(mm)



Specifications

DC Motor	Ratio	1/9	1/13.5	1/24	1/31.6	1/37	1/45	1/57	1/73.6	1/86	1/95	1/133	1/160	1/172	1/201	1/244	1/401	1/501	1/627
ZYTD-380 (12V-4000R)	No load (r/min)	480	320	180	135	115	95	75	59	50	45	32	27	25	21	18	11	9	7
	On load (r/min)	390	260	145	110	95	78	61	48	41	37	26	22	21	18	16	10	8	7
	Rated torque (kgf.cm)	0.7	0.95	1.4	1.9	2.3	2.5	3.2	4.1	4.8	5.5	6.8	8	8	8	8	10	10	10
ZYTD-380 (24V-5000R)	No load (r/min)	570	380	215	160	140	115	90	70	60	54	38	32	30	25	21	13	10	8
	On load (r/min)	465	310	175	135	115	93	73	57	49	44	33	28	26	23	19	12	10	8
	Rated torque (kgf.cm)	0.9	1.2	1.8	2.4	2.9	3.2	4.1	5.3	6.2	7	8	8	8	8	8	10	10	10
Direction	电源正极接 + 端子	CCW	CW	CCW			CW			CCW			CW						

Gearbox

Reduction Ratio	L	Stages	Allowable Torque	
	mm		mN.m	kgf.cm
1/9	22.5	2	147	1.5
1/13.5	22.5	3	245	2.5
1/24~1/37	24.5	4	392	4
1/45~1/95	26.5	5	588	6
1/133~1/244	29.5	6	784	8
1/401~1/627	30.5	7	980	10

★ Other specification can be customized.