

N20/30

FF030

RF130

BLDC

1632

FF130

FF180

RF500

RF300

RF310

094

BLDC

2035

370

2418

2430

385

2838

395

30-C

32-C

40-C

32ZY13

32ZY25

520

BLDC

520

380

555

BLDC

3640

775

38S

BLDC

38S

45S

BLDC

45S

50S

BLDC

50S

60S

BLDC

60S

80S

稳压器

同步

电机

永磁

直流电机

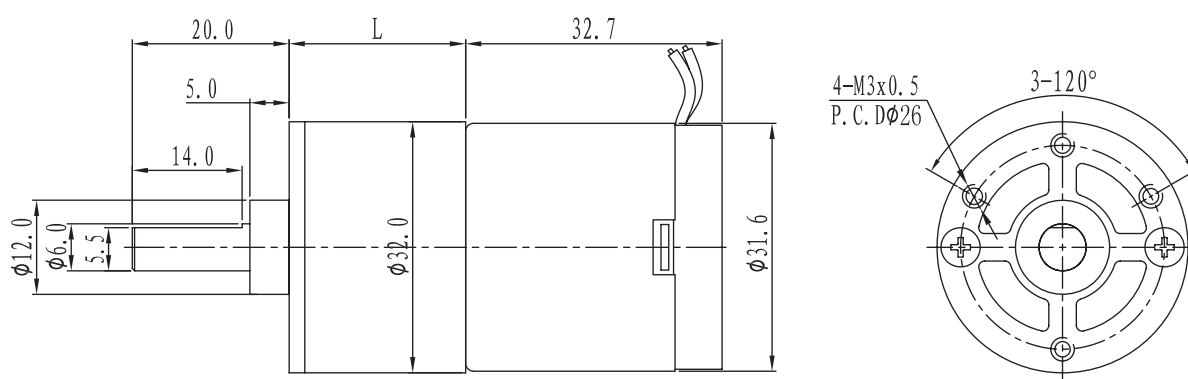
交流

可逆电机

# ZGA32RK(A6408)



## Dimension(mm)



## Specifications

DC Motor	Ratio	1/5.8	1/13.8	1/33	1/79.6	1/109.7	1/191	1/363	1/458	1/1100
ZYTD-32ZY25 (12V-3800R)	No load (r/min)	660	275	115	48	35	20	11	8	4
	On load (r/min)	565	240	100	41	30	17	9	7	4
	Rated torque(kgf.cm)	0.1	0.25	0.5	1.1	1.5	2.5	4.5	5	6
ZYTD-32ZY25 (24V-4000R)	No load (r/min)	690	290	120	50	37	21	11	9	4
	On load (r/min)	600	250	105	44	32	18	10	8	4
	Rated torque (kgf.cm)	0.1	0.25	0.5	1.1	1.5	2.5	4.5	5	6
Direction	电源正极接 + 端子	CW	CCW	CW	CCW		CW		CCW	CW

## Gearbox

Reduction Ratio	L	Stages	Allowable torque	
	mm		mN.m	kgf.cm
1/5.8	22.5	2	98	1
1/13.8	22.5	3	98	1
1/33	22.5	4	196	2
1/79.6~1/109.7	22.5	5	294	4
1/191~1/363	24.5	6	588	6
1/458	26.5	7	588	6
1/1100	30	8	588	6

★ Other specification can be customized.

079

浙江正科电机有限公司 Tel:0577-6289 0088

Fax:0577-6287 1122

Http:www.zhengkemotor.com