

N20/30

FF030

RF130

BLDC

1632

FF130

FF180

RF500

RF300

RF310

094

BLDC

2035

370

2418

2430

385

2838

395

30-C

32-C

40-C

32ZY13

32ZY25

520

BLDC

520

380

555

BLDC

3640

775

38S

BLDC

38S

45S

BLDC

45S

50S

BLDC

50S

60S

BLDC

60S

80S

稳压器

同步

电机

永磁

直流电机

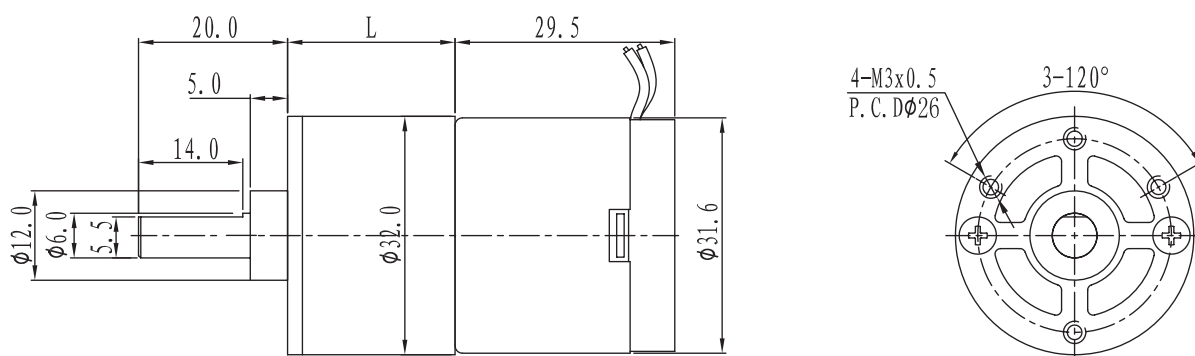
交流

可逆电机

# ZGA32RC(A6408)



## Dimension(mm)



## Specifications

DC Motor	Ratio	1/5.8	1/13.8	1/33	1/79.6	1/109.7	1/191	1/363	1/458	1/1100
ZYTD-32ZY13 (12V-5000R)	No load (r/min)	900	380	160	65	48	27	14	11	5
	On load (r/min)	760	320	135	55	40	23	12	10	4
	Rated Torque(kgf.cm)	0.08	0.15	0.35	0.8	1.1	1.8	3.2	3.7	6
ZYTD-32ZY13 (24V-7000R)	No load (r/min)	1180	495	205	86	62	36	19	15	6
	On load (r/min)	955	400	170	70	51	29	15	13	6
	Rated Torque(kgf.cm)	0.12	0.3	0.6	1.3	1.8	3	5.5	6	6
Direction	电源正极接 + 端子	CW	CCW	CW	CCW		CW		CCW	CW

## Gearbox

Reduction Ratio	L	Stages	Allowable Torque	
	mm		mN.m	kgf.cm
1/5.8	22.5	2	98	1
1/13.8	22.5	3	98	1
1/33	22.5	4	196	2
1/79.6~1/109.7	22.5	5	294	4
1/191~1/363	24.5	6	588	6
1/458	26.5	7	588	6
1/1100	30	8	588	6

★ Other specification can be customized.

073

浙江正科电机有限公司

Tel:0577-6289 0088

Fax:0577-6287 1122

Http:www.zhengkemotor.com